

---

# DOUBLE DUO OPERA LIGHT

---

The Double Duo Opera Light is a double width version of the Duo Opera Light for use with The Opera Conductor's Stand.

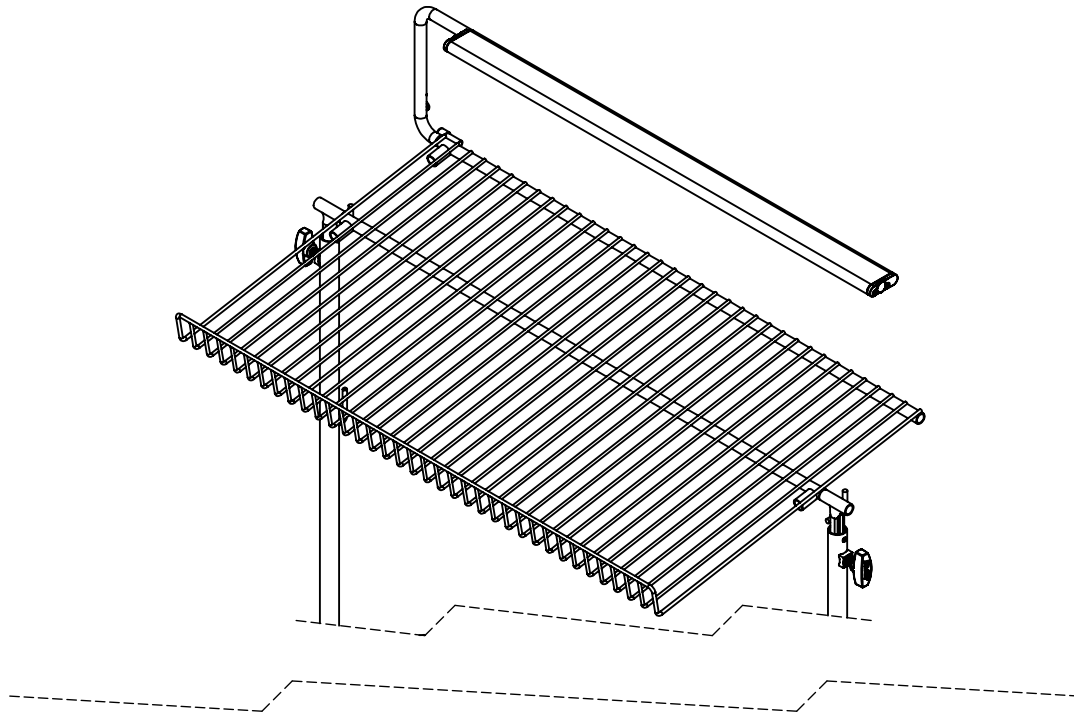
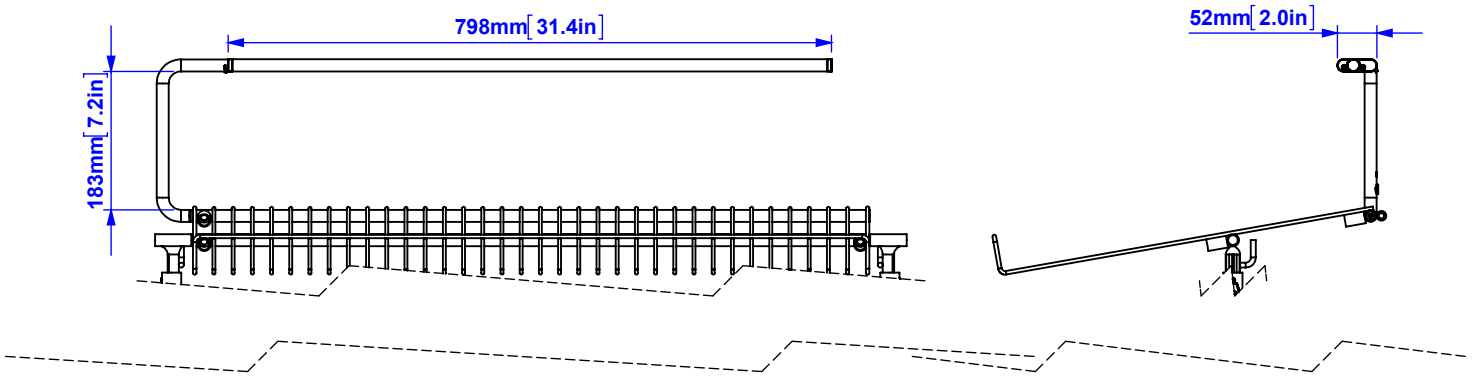


**RAT**stands

# DOUBLE DUO OPERA LIGHT

Detailed specification

# RATstands



# DOUBLE DUO OPERA LIGHT

Detailed specification

**RAT**stands

## Specifier's description

Integral light for The Opera Conductor's Stand. Double width slim aluminium housing, 16mm thick, containing 4 LEDs with a colour temperature of 3000K. Powered directly from the mains without

the need for an intermediate power supply, and dimmable by leading or trailing edge phase dimmers.

Construction	
Structural parts	Steel
Lamp housing	Extruded aluminium
cable type	Mains cable with inline switch, PVC outer sheath
electrical connector type	Main plug

Dimensions	
Profile of lamp as seen by user: thickness	16mm [0.6in]
Profile of lamp as seen by user: width	798mm [31.4in]
Rotation of lamp housing	300°

Optical characteristics	
Colour temperature	3000K

Electrical characteristics	
SELV (Safety extra low voltage)	NO
Class II insulation (double insulated)	YES
Operating voltage	Mains

General	
Commercial use warranty	2 years
Applicable standards	EN55022 EN60598 EN60529
IP rating	IP32
RATstands part number	73Q62