
THE CONCERT STAND

A classic stand designed in contemporary style, the Concert Stand's slender metal stem and elegantly formed natural wood tray perfectly complement the appearance of a modern or historic concert hall. Trays can be stained to match the appearance of the hall. This stand is perfect for professional musicians, on stage in the world's top performing arts venues.



RATstands

1. Friction locks automatically hold the tray at whatever angle you set. There are no knobs to fiddle with or lose, and it will never go slack.

2. The heavy-gauge steel stem is very strong and rigid. This stand doesn't sway, and yet can be adjusted smoothly and easily to the desired height, where it stays automatically. The stem is coated in tough, scratch-resistant epoxy.

3. The base is made from tubular steel for strength and rigidity without excess weight. Rubber feet preserve your floor and prevent clatter if the stand is knocked. The base is coated in black nylon for ultimate durability.

4. The tray is available with a double lip which provides space for storing pencils and small instruments. The lip is lined with foam rubber to protect instruments and eliminate noise.

5. Stands nest for compact storage

6. The Concert Pro Stand
The Concert Pro Stand has a thumbscrew for height locking and its base is made of solid steel for extra stability.

7. Customisation
The Concert Stand can be customised to your requirements. Options include specially stained trays to match your auditorium, your logo on the back of the tray, custom tray sizes, and our Classic tray made of nylon coated steel rods.

Specification

Height measured from floor to lower edge of score adjustable between:

Single lip tray:
692 and 1387mm (28" and 55")

Double lip tray:
692 and 1387mm (30" and 57")

Tray size excluding extra lip:
490 x 330mm. (20"x13")

Optional tray size: 600 x 330mm (24"x13")

Weight of Concert Stand: 3.7kg (8lb 2oz)

Weight of Concert Pro Stand: 5.5kg (12lb 2oz)

Product code:

Concert Stand with 49cm wood tray	60Q3
...49cm tray with double lip	60Q4
...60cm tray with double lip	60Q5
...with Pro stem and base	...P

The Concert Stand trolley carries up to 18 stands. It has 2 fixed and 2 swivel castors for easy steering, and is coated in tough scratch-resistant epoxy.

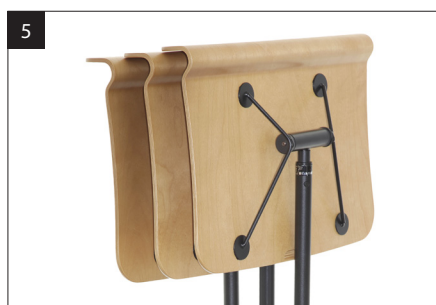
Concert trolley specification

L x W: 1730 x 450mm (68" x 18")

Weight: 13 kg (28 lb)

Product code:

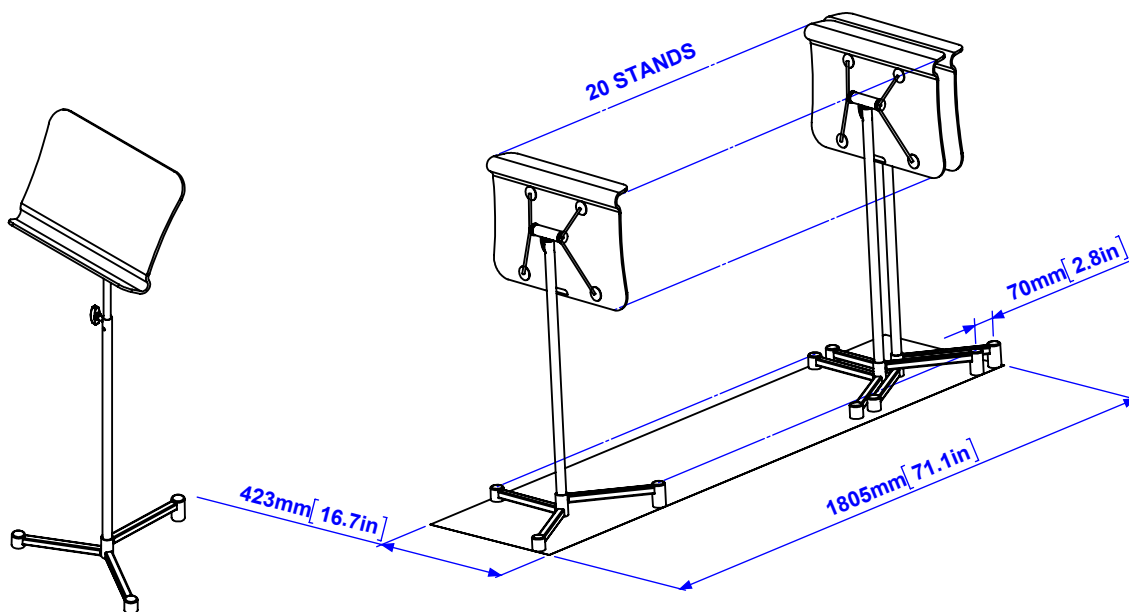
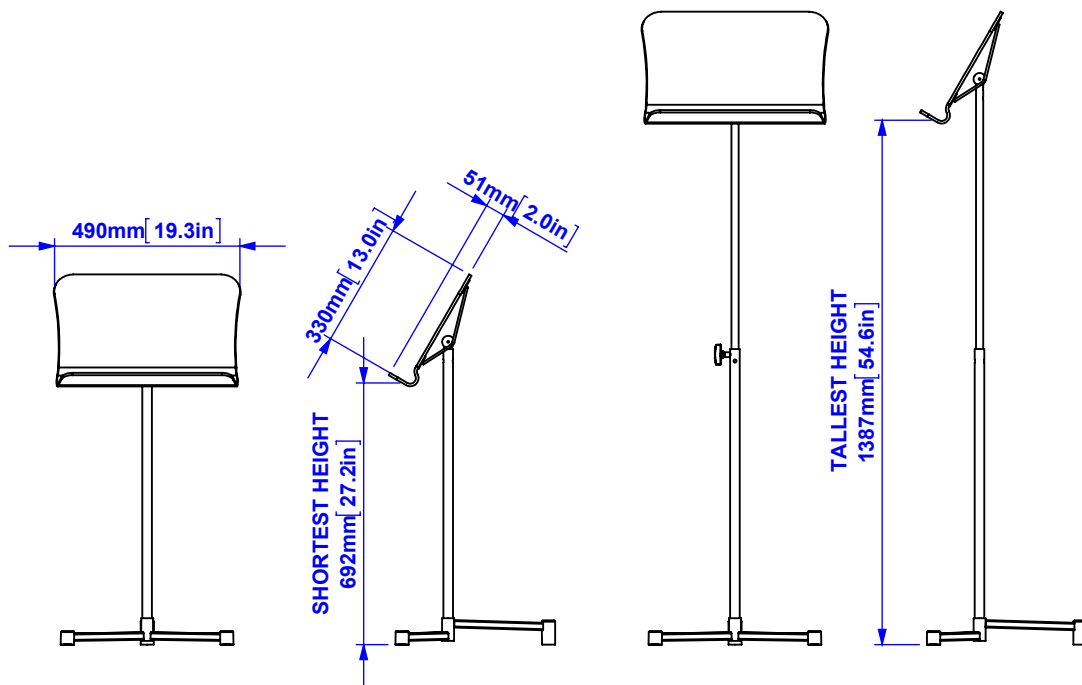
The Concert Stand trolley 59Q2



THE CONCERT STAND

Detailed specification

RATstands



THE CONCERT STAND

Detailed specification

RATstands

Specifier's description

A professional quality Music stand with steel tripod base and telescopic stem. Base coated with 0.2mm thick nylon. Stands can be nested on a flat floor, without requiring a trolley. Rubber feet on base provides 3 point contact with the floor. Provision to adjust

the angle of the tray and the height of the stand. Tray moulded in one piece from birch veneers and stained/stained to match [insert colour specification].

Construction	
Structural parts	Steel
Feet	Natural rubber
Tray	Wood
Coating	Black nylon & black powder coat

Dimensions	
Tray size	490 x 330mm [19.3 x 13.0in]
Depth of tray lip	51mm [2.0in]
Lowest height to bottom of score	692mm [27.2in]
Tallest height to bottom of score	1387mm [54.6in]
Nesting pitch	70mm [2.8in]
Floor area occupied by 20 stands	1805 x 423mm [71.1 X 16.7in]
Weight of stand without lamp	3.7kg [8.2lb]

General	
Warranty	5 years
Applicable standards	
Part number	60Q3