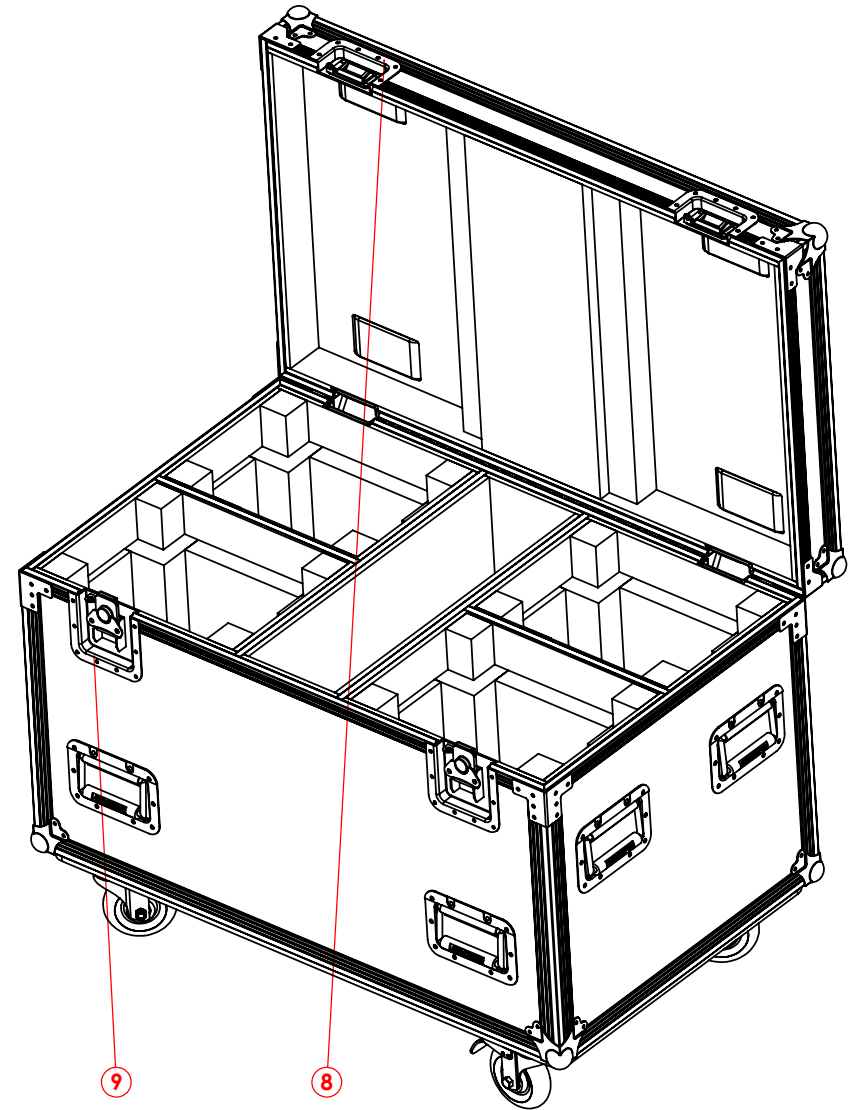
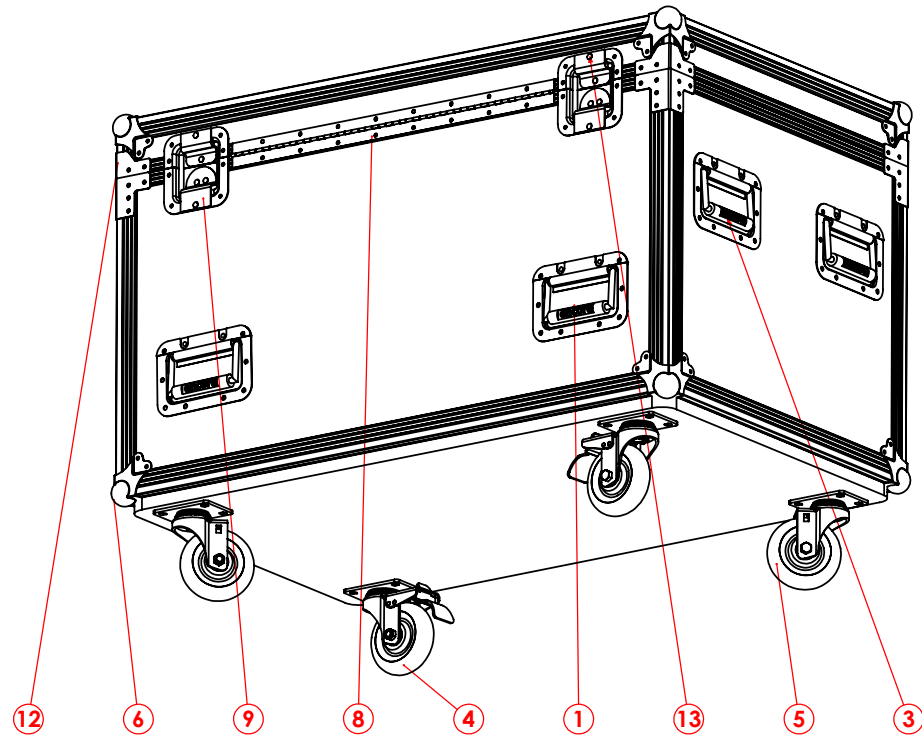


ITEM NO.	PART NUMBER	Description	QTY.
1	CASTOR DISH - DEEP	CASTOR DISH - DEEP	4
2	HB009	ANGLE - 8 HOLES	4
3	HB013	ANGLE - 4 HOLES	4
4	HB024	CORNER - BALL	8
5	HC001	CASTOR	2
6	HC001B	CASTOR - BRAKE	2
7	HH001	HANDLE - RECESSED	8
8	HL002B - SIDE A	LATCH - LARGE DEEP - SIDE A	2
9	HL002B - SIDE B	LATCH - LARGE DEEP - SIDE B	2
10	HO001	LID STAY	2
11	HO-005	HINGE - PAINO	1
12	414-126 - BASE - W	ES RC-MH021 - RUSH MH4 - 4 WAY - MOVING HEAD CASE - BASE	1
13	414-126 - LID - W	ES RC-MH021 - RUSH MH4 - 4 WAY - MOVING HEAD CASE - LID	1



LAMINATE COLOUR: A1548 - BLACK



THIS DRAWING AND INFORMATION CONTAINED HEREON IS NOT TO BE REPRODUCED IN WHOLE OR PART, NOT TO BE LOANED, COPIED, EITHER WHOLLY OR IN PART, OR TO BE USED IN ANY MANNER WITHOUT THE EXPRESS PERMISSION OF DESIGN QUINTESSENCE PTY LTD © 2013

DESIGN QUINTESSENCE PTY LTD
 UNIT 25, 7-9 PERCY STREET
 AUBURN NSW 2144
 TEL +61 2 9649 2266
 FAX +61 2 9649 2200
 www.dq.com.au

CLIENT:

DRAWING:

ES RC-MH021 - RUSH MH4 - 4 WAY - MOVING HEAD CASE

SHEET 1 OF 4

DRAWN BY: PSW

DATE:
11/07/2014

SCALE 1:10

DRAWING No:

414-126

REV:

A

A4