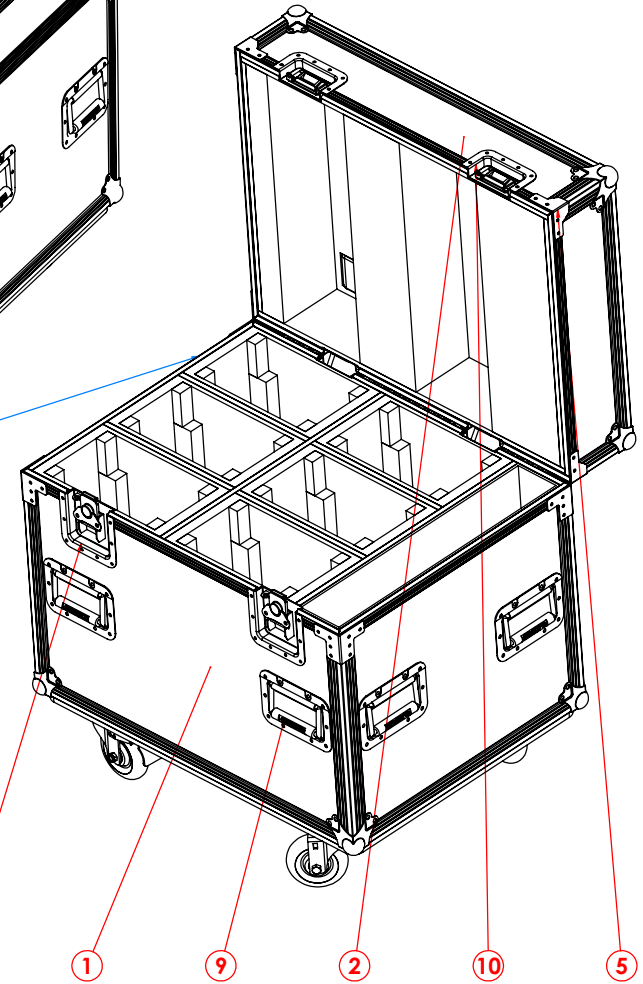


LID STRAPS x 2



ITEM NO.	PART NUMBER	DESCRIPTION	QTY.
1	413-119-1 - Base - W	ES RC-MH020 - 6 WAY - MARTIN MH2 WASH - MOVING HEAD CASE - BASE	1
2	413-119-1 - Lid - W	ES RC-MH020 - 6 WAY - MARTIN MH2 WASH - MOVING HEAD CASE - LID	1
3	CASTOR DISH - DEEP	CASTOR DISH - DEEP	4
4	HB009	ANGLE - 8 HOLES	4
5	HB013	ANGLE - 4 HOLES	4
6	HB024	CORNER - BALL	8
7	HC001	CASTOR	2
8	HC001B	CASTOR - BREAK	2
9	HH001	HANDLE - RECESSED	8
10	HL002B - Side A	LATCH - LARGE DEEP - SIDE A	2
11	HL002B - Side B	LATCH - LARGE DEEP - SIDE B	2
12	HO001	LID STAY	2
13	HO-005	HINGE - PAINO	3

LAMINATE COLOUR: A1548 - BLACK



THIS DRAWING AND INFORMATION CONTAINED HEREON IS NOT TO BE REPRODUCED IN WHOLE OR PART, NOT TO BE LOANED, COPIED, EITHER IN WHOLE OR PART, OR TO BE USED IN ANY MANNER WITHOUT THE EXPRESS PERMISSION OF DESIGN QUINTESSENCE PTY LTD © 2013

DESIGN QUINTESSENCE PTY LTD
 UNIT 25, 7-9 PERCY STREET
 AUBURN NSW 2144
 TEL +61 2 9649 2266
 FAX +61 2 9649 2200
 www.dq.com.au

CLIENT:

-

DRAWING:

**ES RC-MH020 - 6 WAY - MARTIN MH2 WASH -
MOVING HEAD CASE**

SHEET 1 OF 4

DRAWN BY: PSW

DATE:
10/12/2013

SCALE 1:12

A4

DRAWING No:

413-119-1